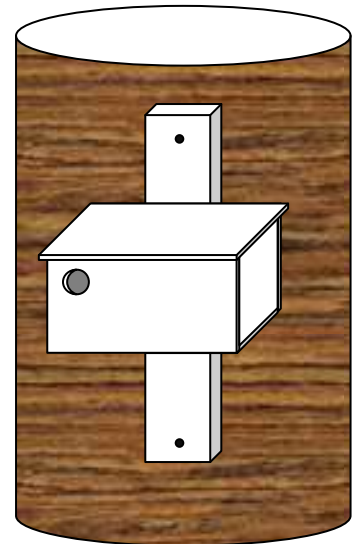
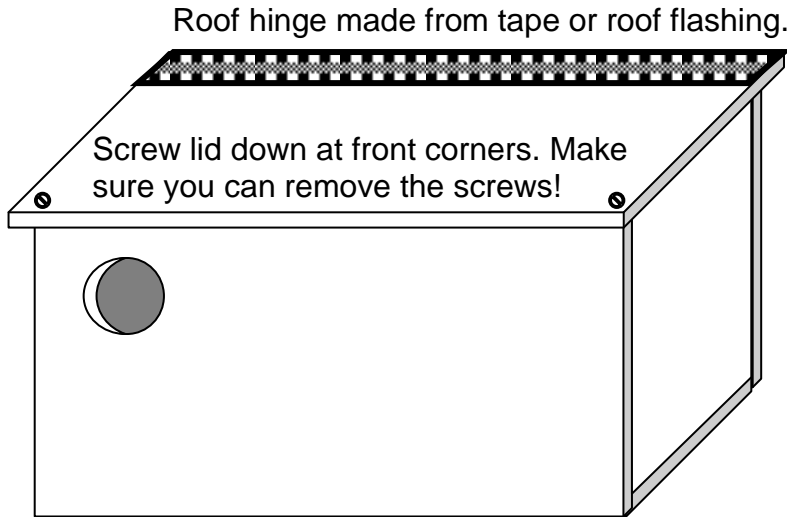
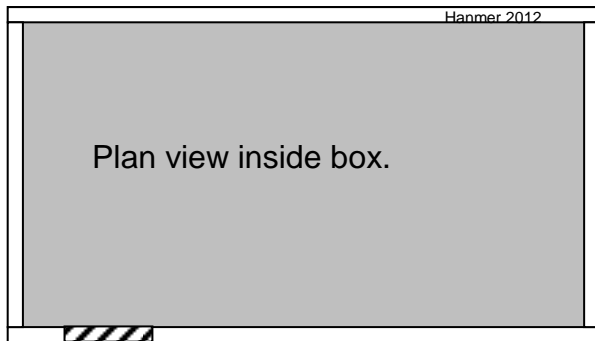


The Northumberland small bird box - for Tree Sparrow, Redstart & Tits



Screw on to a 45cm batten and attach to the tree. (1 to 2 metres is quiet high enough)

- Use a minimum wood thickness of 18mm (exterior quality ply)
- Paint the whole exterior first with water based fence paint; then paint over the roof with an oil based outside gloss.



Hole size - 40mm diameter hole for Redstarts
30mm for Tree Sparrows & Great Tits
25mm for small Tits

