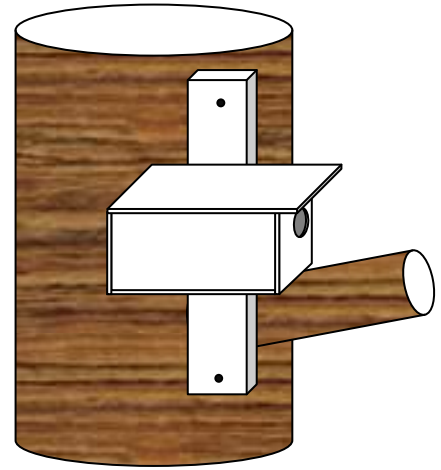
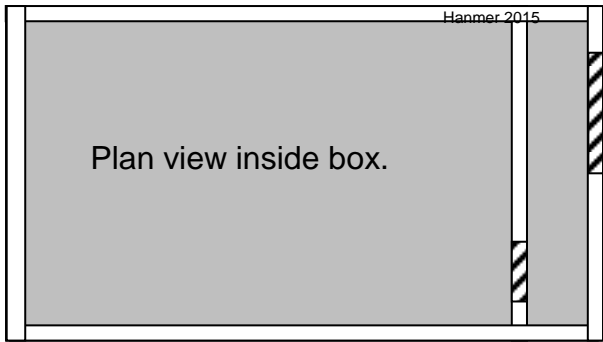
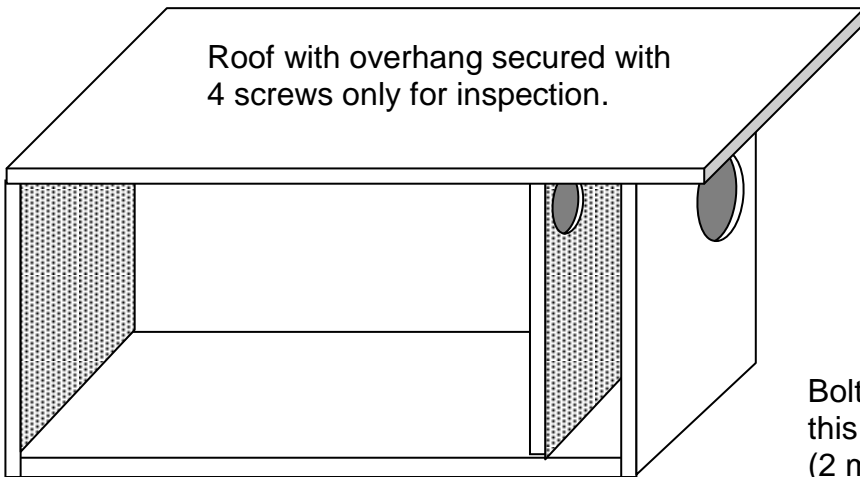


The Northumberland Little Owl box - (take the baffle out and its a Kestrel box)

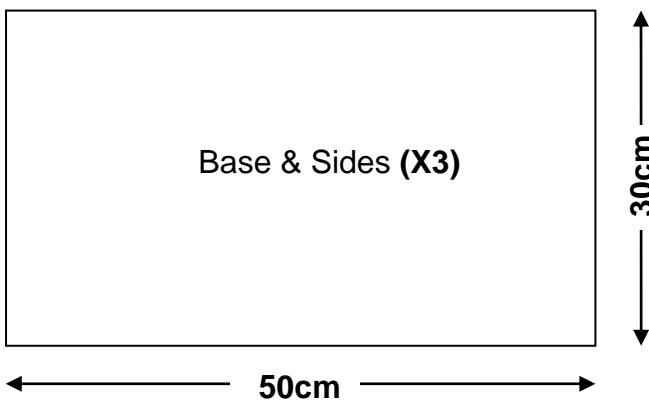
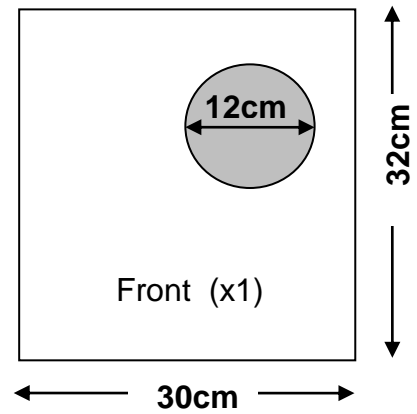


Bolt the box to a 65cm batten and attach this to a tree with a nearby branch.
(2 metres is high enough for Little Owls)
Use a minimum wood thickness of 18mm
(exterior quality ply)



Baffle gap - 8cm

Hole size - 12cm diameter



Hole size - 7cm diameter, 3cm from edges in top left corner.

