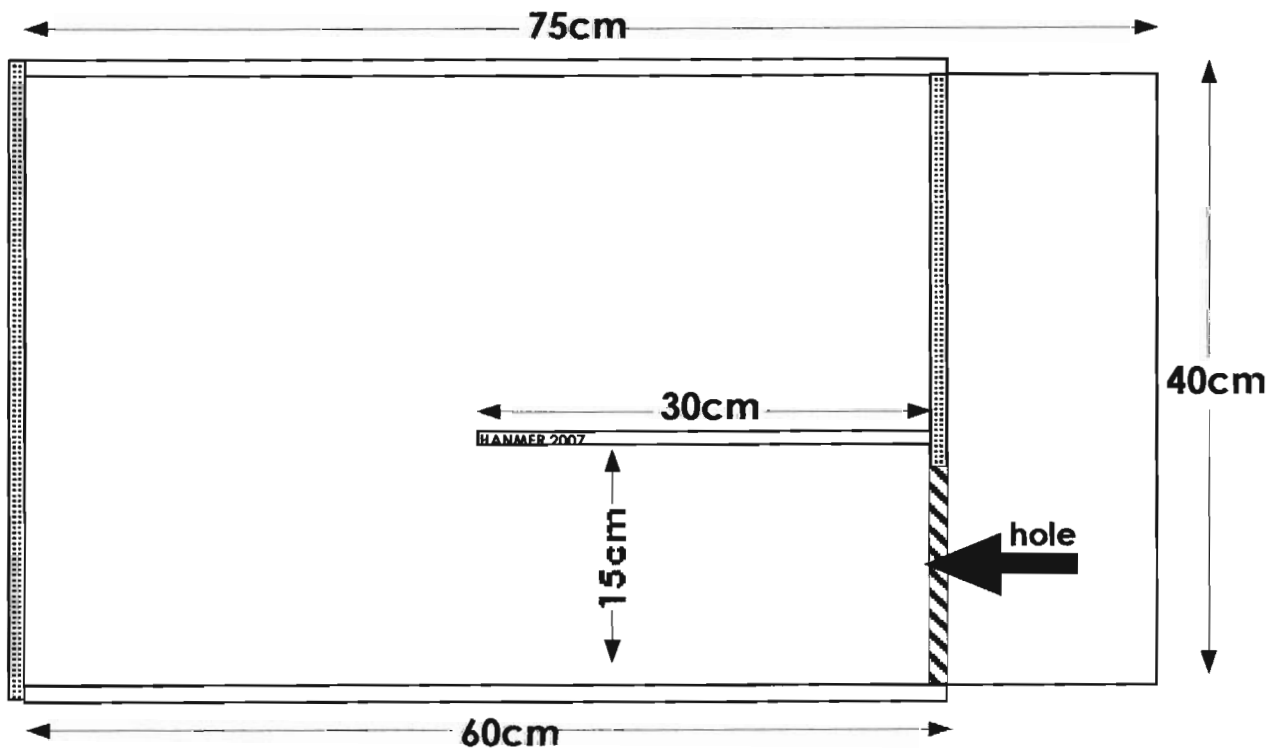
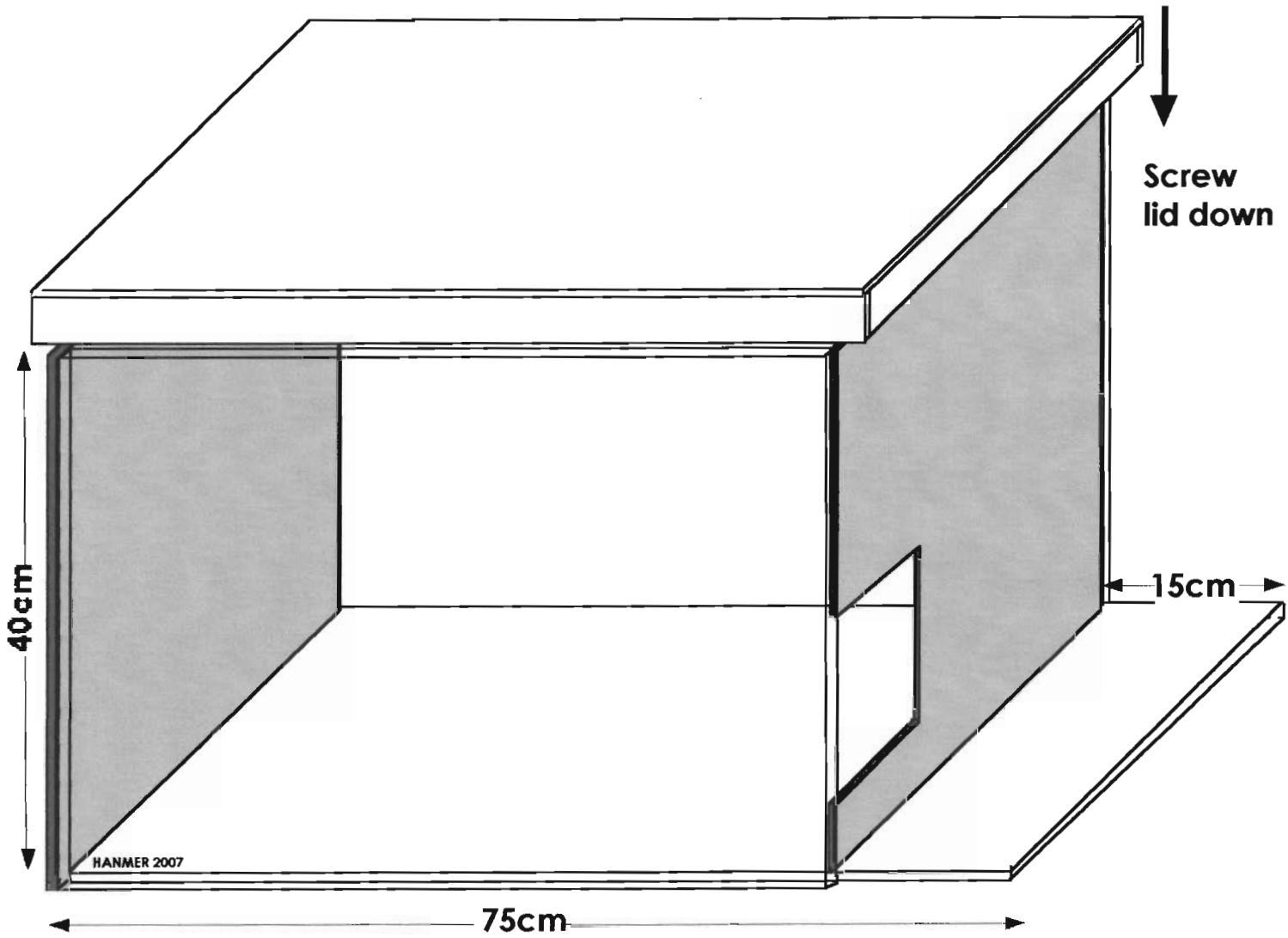
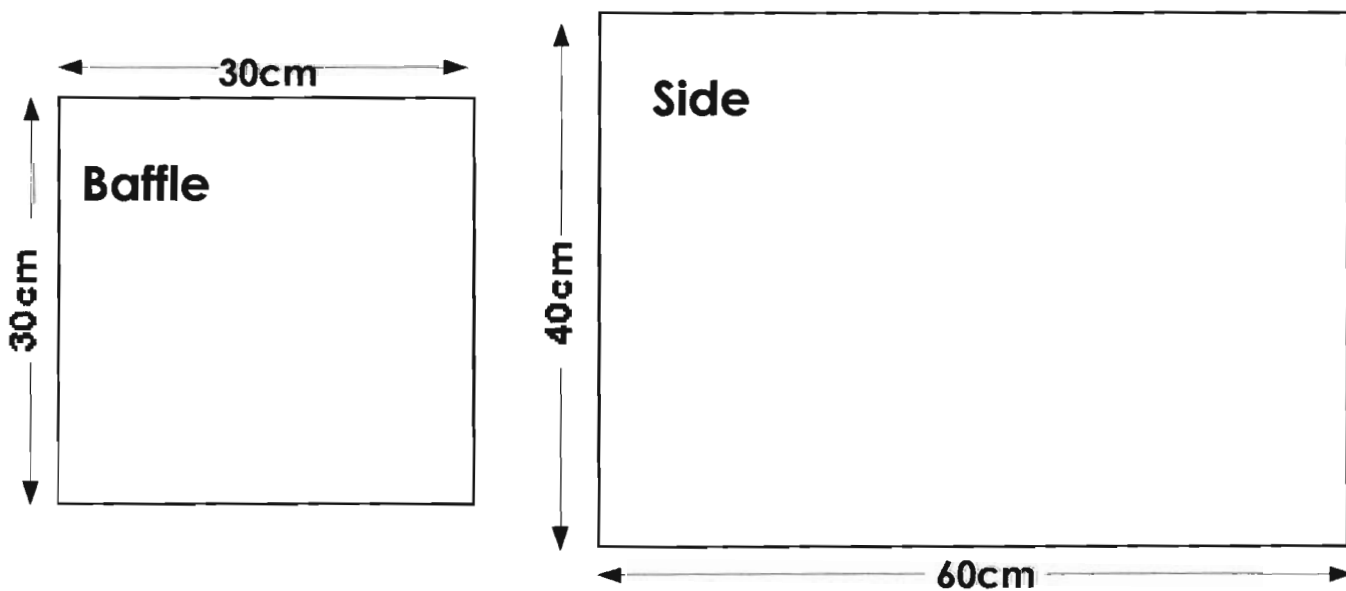
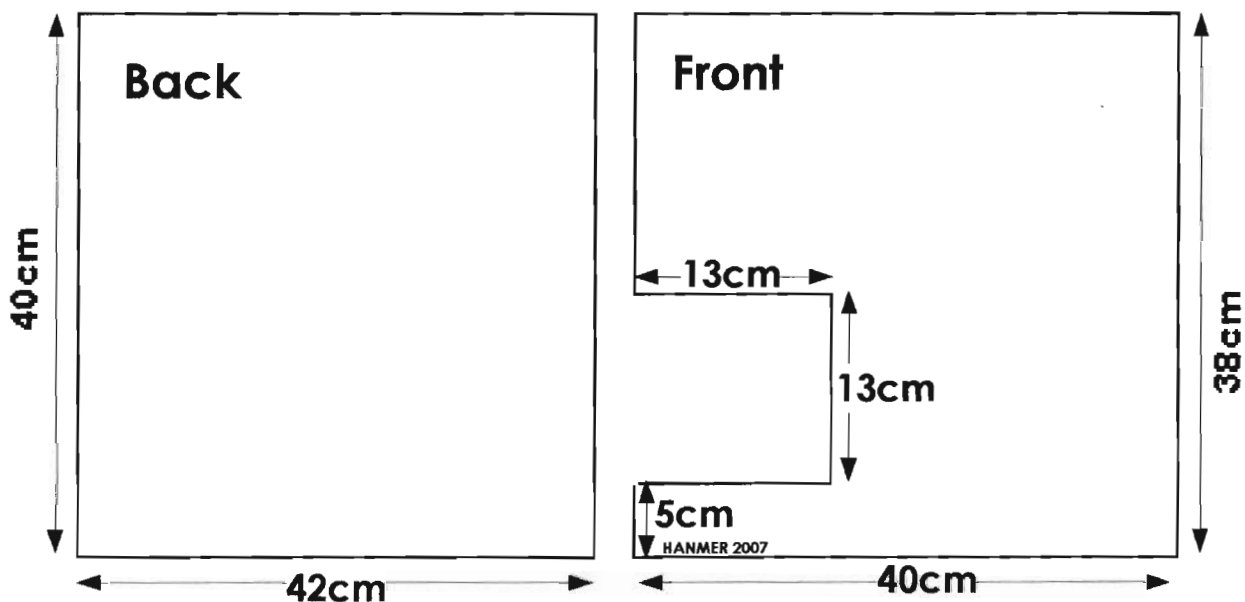
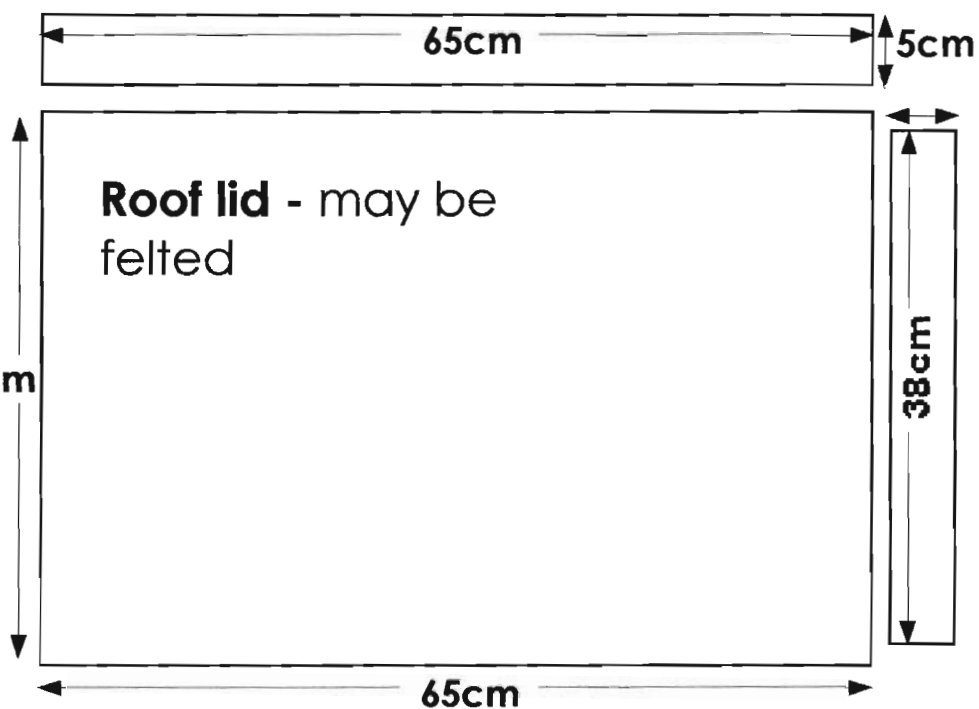


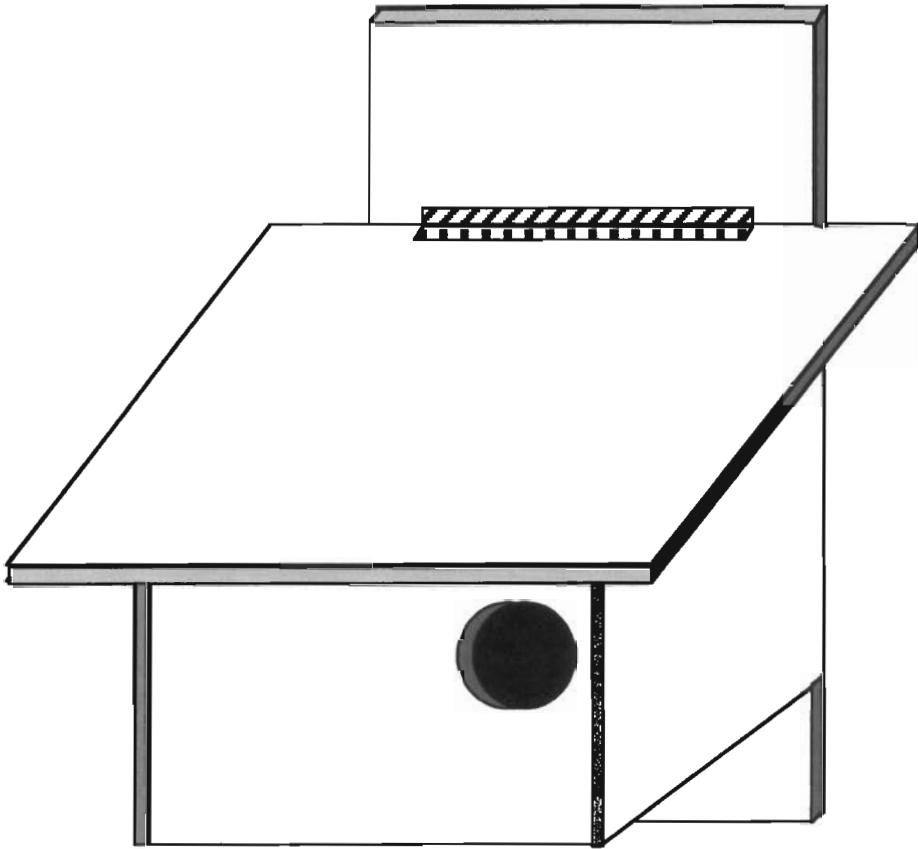
Barn Owl Box



12mm exterior quality plywood.
(base can be thicker to give more stability)
N.B. Always attach the roof with screws, that can be removed or as an alternative put a heavy stone on the roof!

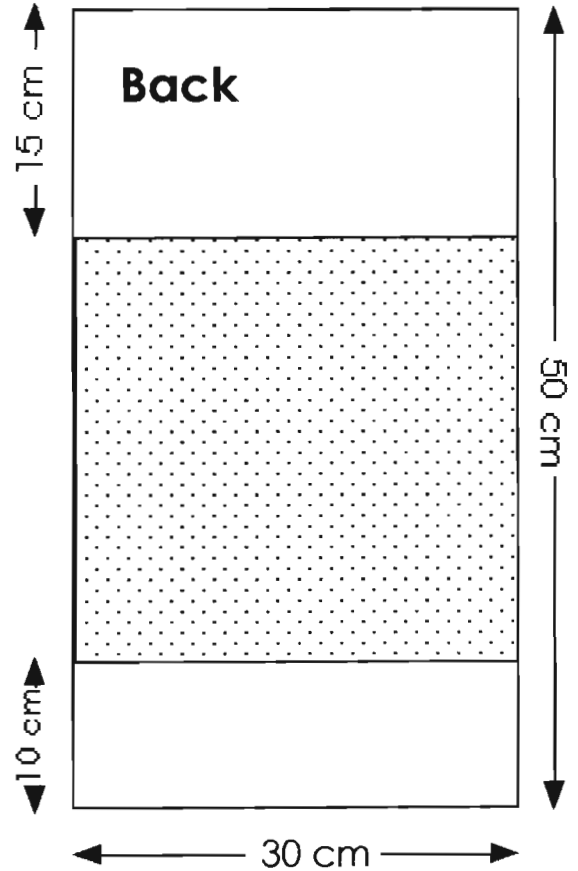
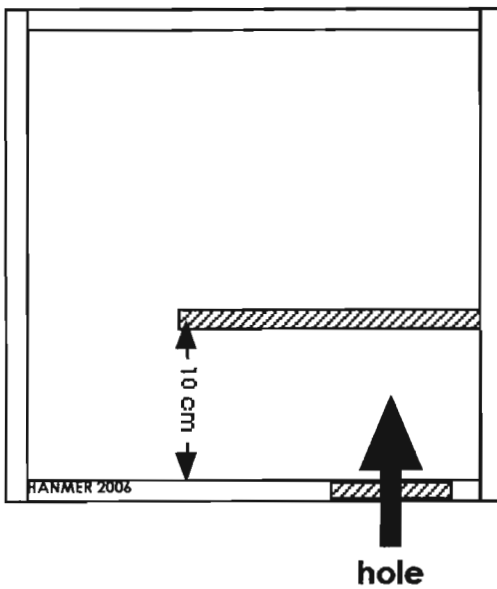


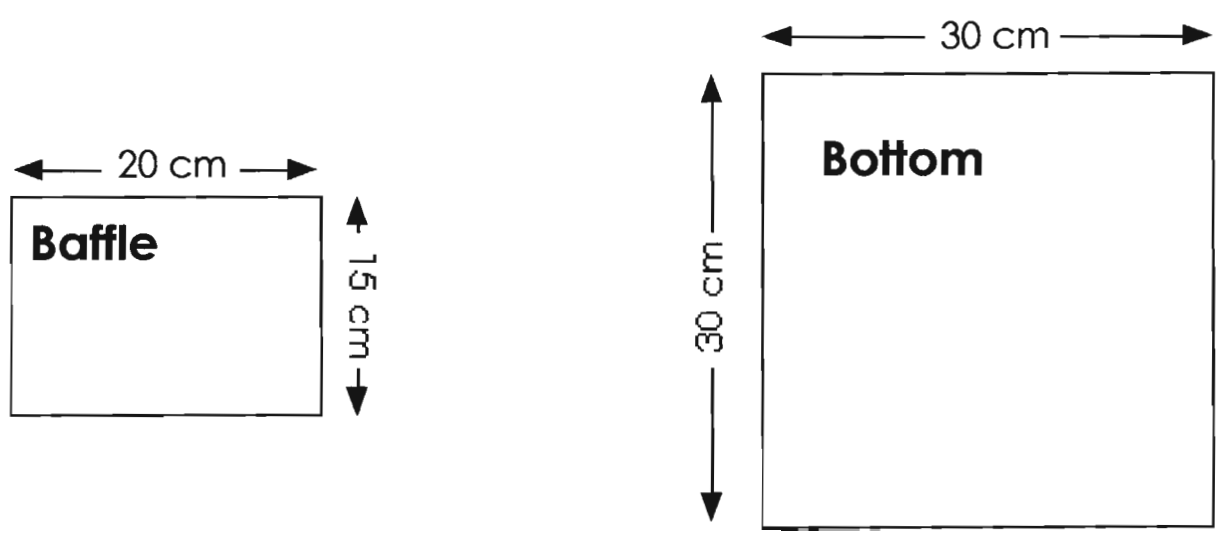
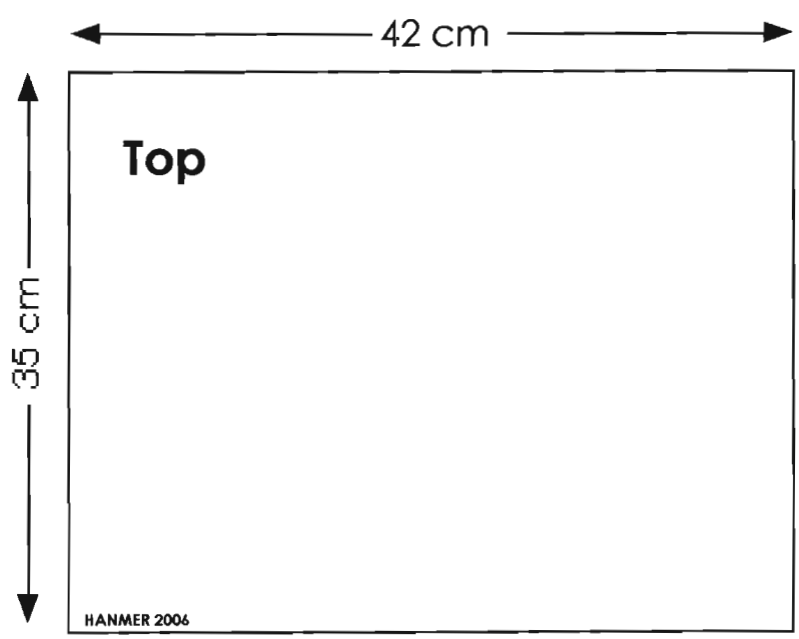
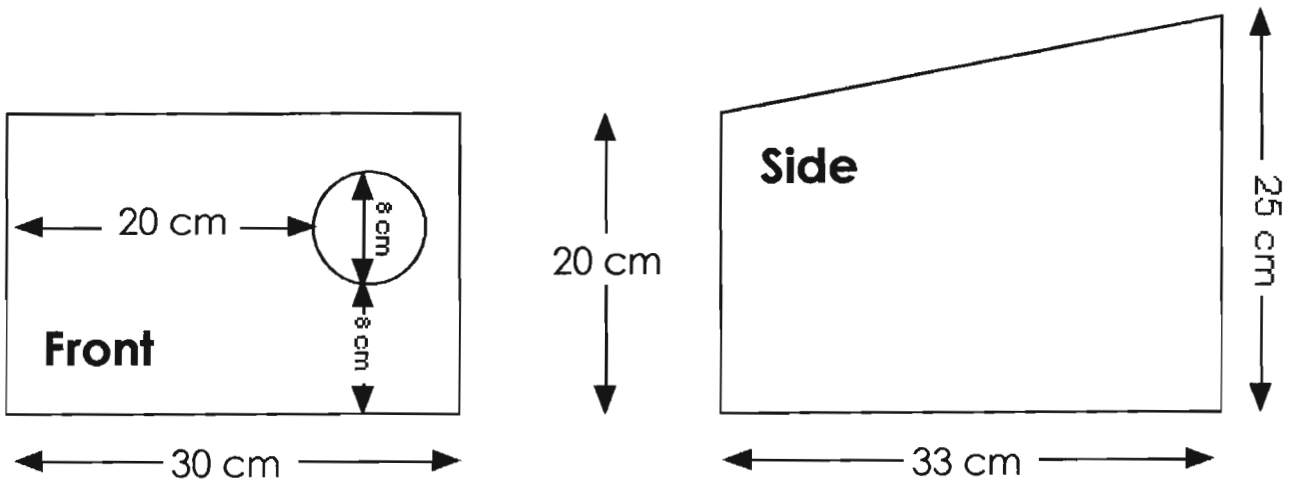
Little Owl Box



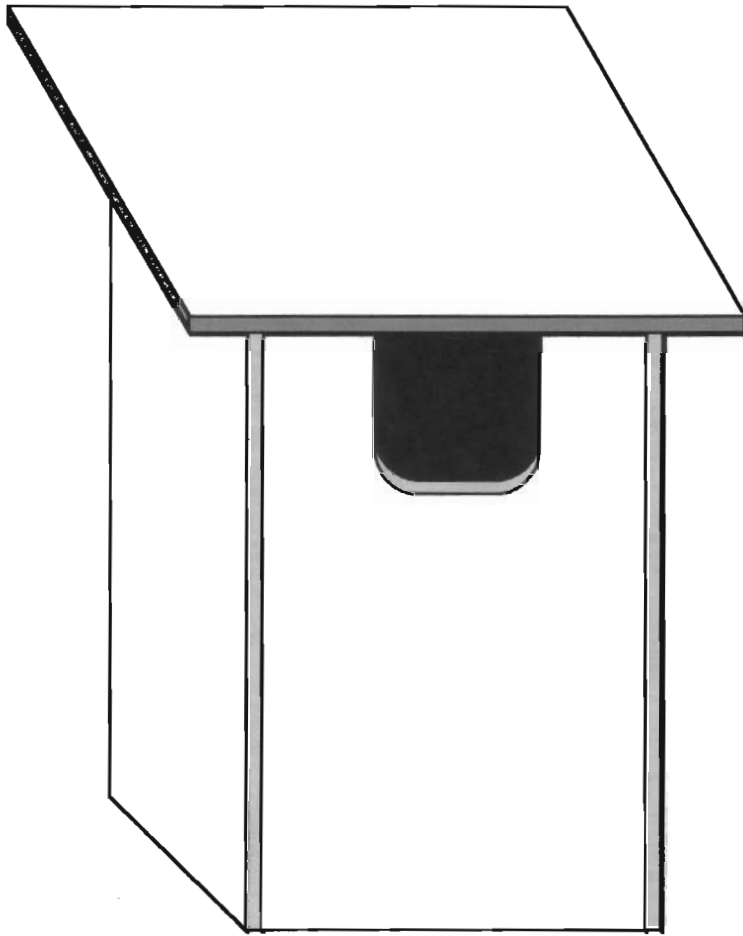
12mm exterior quality plywood.

Always attach the roof with screws, that can be removed.

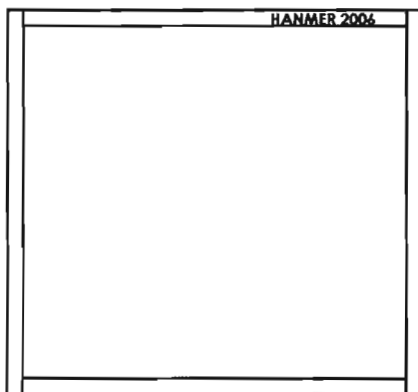




Tawny Owl Box



To fix to a tree screw a batton on the back.



**12mm exterior quality
plywood.**

