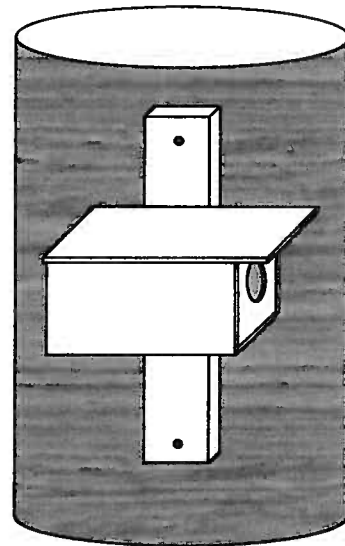
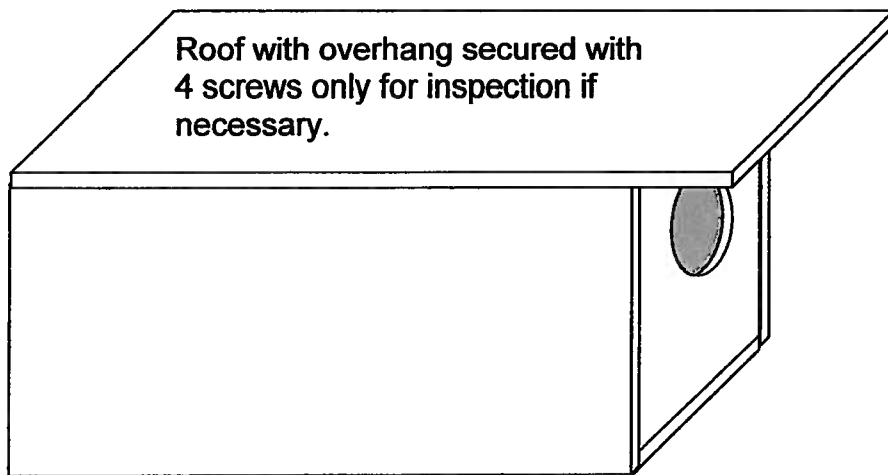
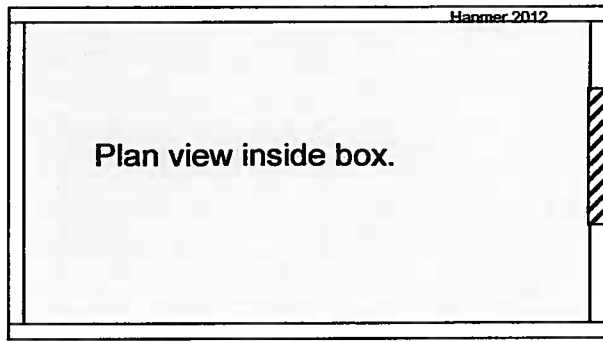


The Northumberland Kestrel box -

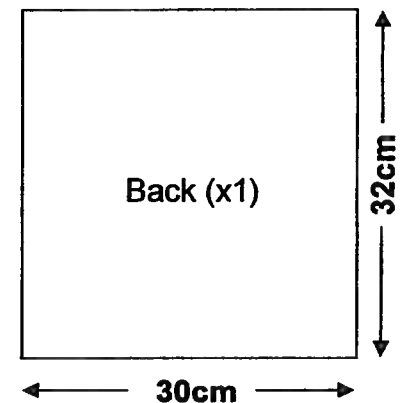
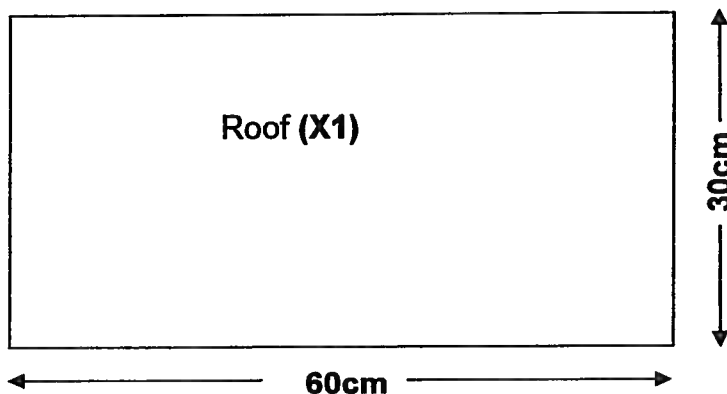
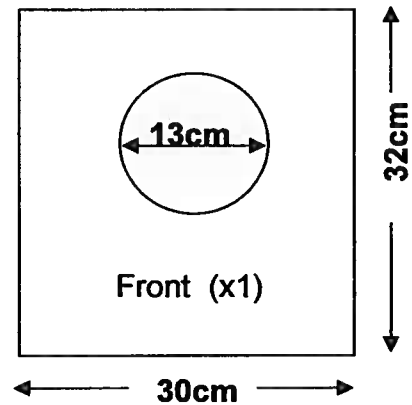
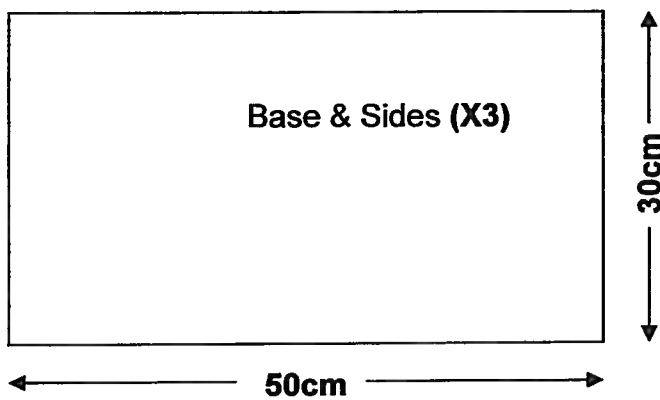


Bolt the box to a 65cm batten and attach this to a tree or side of a barn. (4 metres is high enough)

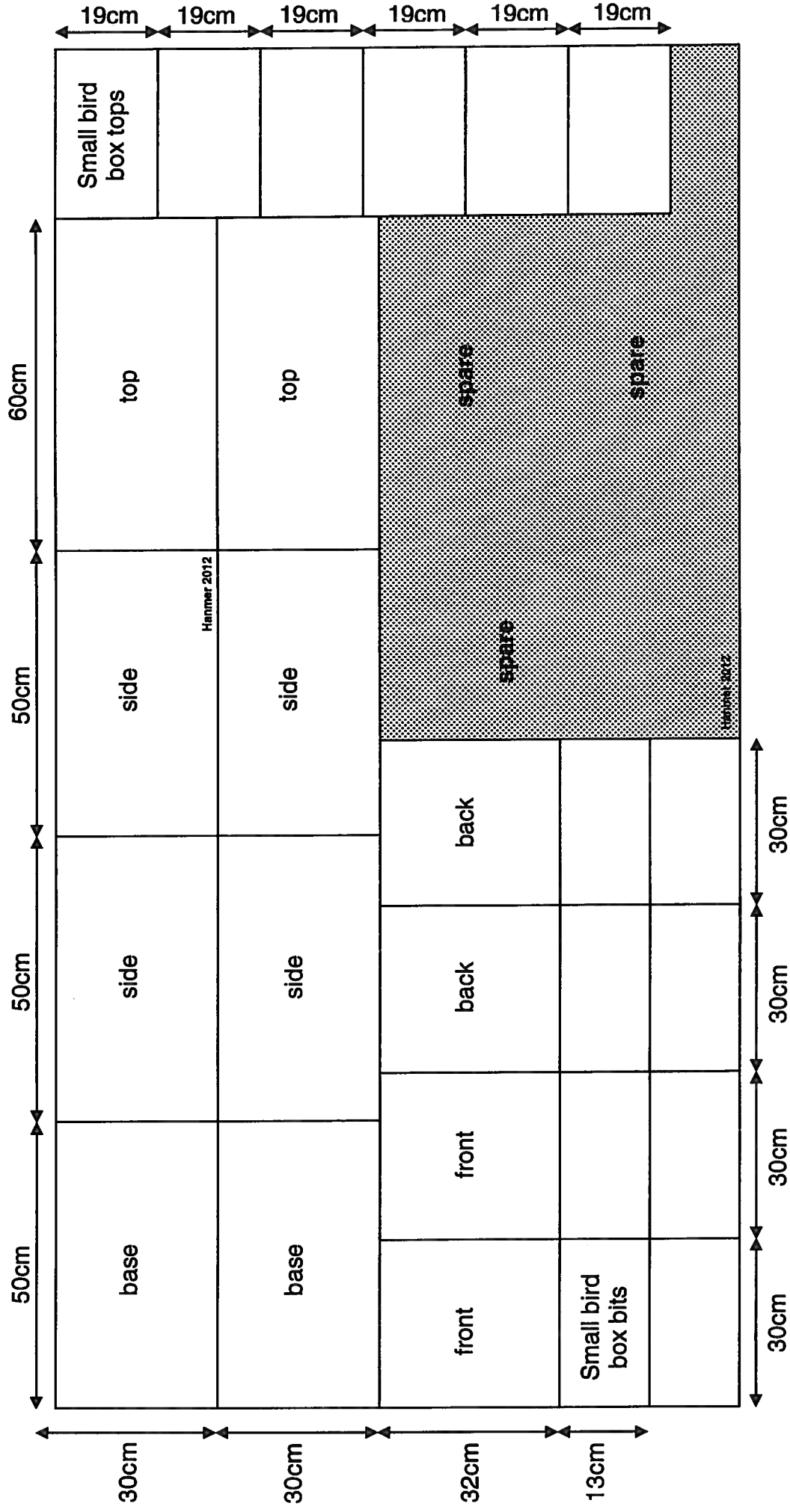


- Use a minimum wood thickness of 18mm (exterior quality ply)
- Paint the whole exterior first with water based fence paint; then paint over the roof with an oil based outside gloss.

Hole size - 13cm diameter hole for Kestrel



Cutting plan for 2 Kestrel Boxes (plus small box wood)



Minimum thickness 18mm Outdoor Quality Plywood or similar wood
 Sheet size – 243cm by 120cm (8ft by 4ft)